



Norman Levenson

MMI, Eng. Tech., MScE, MITE, IMIAEA, MFIRA



Consultant Automotive Engineer & Assessor

VEHICLE EXAMINATION REPORT

YOUR ATTENTION IS DRAWN TO THE TERMS AND CONDITIONS BELOW

The examination of the vehicle described in this report was of a purely external, visual nature and excludes any dismantling. No responsibility can be accepted for defects not visibly present at the time, or those not detected which fall outside the scope of the examination and (where possible) its limited road test. Road tests, when possible, are conducted for a limited duration and exclude high speed testing.

The accuracy of the instrumentation within the vehicle (speedometer, odometer, fuel and temperature gauges etc.), cannot be verified, neither can the future life expectancy of the clutch and brake linings, or the failure of mechanical components in the future. Statements on fuel and oil consumption levels will also be excluded.

It must be noted that, in the absence of a hoist or pit being available, the examination of the vehicle's underside would be unavoidably restricted.

Report No.: NL/13112015/4793	Inspection Date: 13 November 2015
Customer Details Mr. M J Western 9 Sheridan Road Whipton Exeter EX4 8EY	Inspection Address Home Address
Telephone: 07766 188701	Telephone:

VEHICLE DETAILS

Make & Model	Ford Focus Studio Estate YDCi	Registration No.	EO06 NVP
Colour	Blue Solid	Engine CC	1560 (approx)
Vehicle Identity Number. (VIN No.)	WFOVXXGCDW6Y33014		Confirmed YES
Engine No.: 6Y33014	Not identified on the block NOTE: Engine Capacity cannot be confirmed		
V5 Registration doc checked	YES	MOT Certificate Expires	03/12/2016
Odometer Reading	192797 Miles	Service Records Seen	YES

ENGINEER'S SUMMARY

PLEASE READ ALL THE PAGES OF THE REPORT

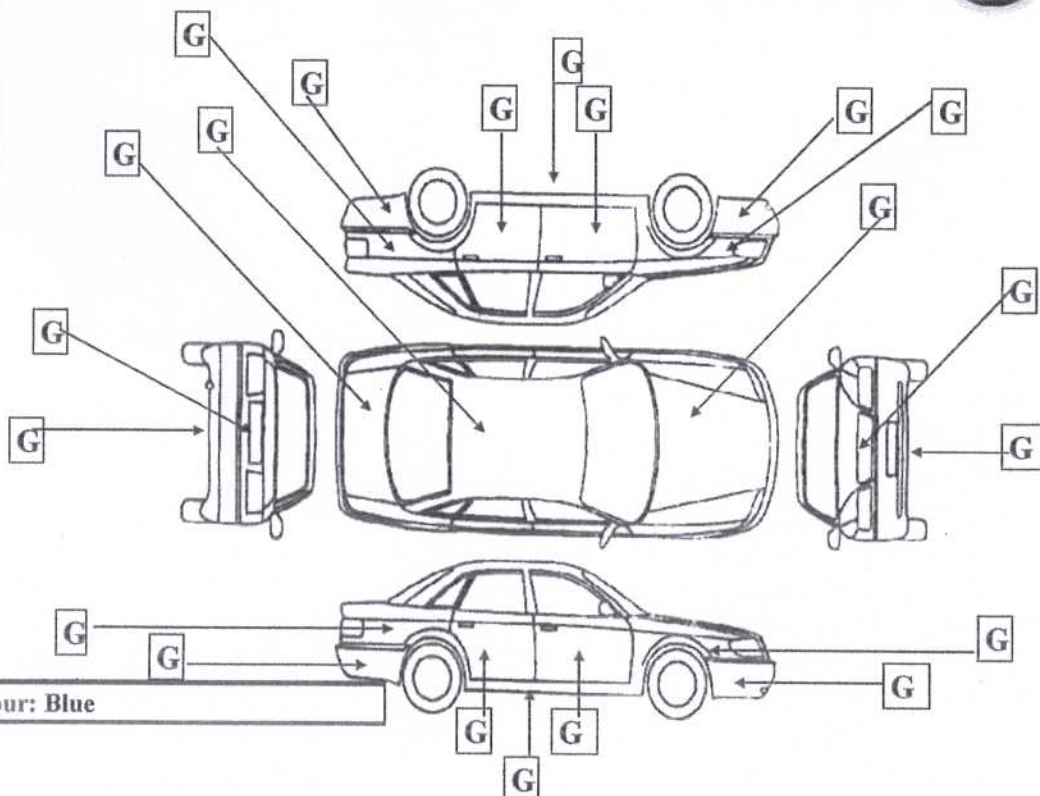
SOME AREAS OUTLINED IN THIS REPORT AND HIGHLIGHTED FROM PAGE 5, REQUIRE FURTHER INVESTIGATION AND POSSIBLE RECTIFICATION. IT IS STRONGLY ADVISED THAT YOU DISCUSS THE FINDINGS OF THIS REPORT WITH THE VENDOR OR A REPAIRER PRIOR TO MAKING YOUR FINAL DECISION TO PURCHASE THE VEHICLE OR HAVE REMEDIAL REPAIRS CARRIED OUT. SOME DEFECTS MAY BE EXPENSIVE TO RECTIFY AND THIS MUST BE CONSIDERED PRIOR TO PURCHASE OR AUTHORISING REPAIRS.

When considering this vehicle, its age and recorded mileage must be taken into account. Due to the high recorded mileage, the future life expectancy of components cannot be anticipated. Despite the vehicle age and recorded mileage, this vehicle was considered to be in a good and presentable condition.

The registration document indicate the vehicle was first registered on 10/03/2006 and has had just 2 keepers since then. The service record book indicated the vehicle had been regularly serviced throughout its life, with the last recorded on 14/09/2015 @ 188072 miles



KEY:	
G	good for age = scratch
X	dent
C	corrosion
O	chip/rust
R	repair/paint



Minor marks or blemishes which are considered to be acceptable for the vehicle's age and type are not recorded and you should satisfy yourself in this regard.

EVIDENCE OF BODYWORK REPAIRS

NO None Visibly Noticed

Comments

The vehicle was presented slightly dirty.

There were one or two minor marks etc., noted around the vehicle to a small degree, some may polish out.

The interior trims were in a good condition, although there were wear signs noted on the driver's carpet and mat, on the clutch pedal rubber and on the steering wheel cover. The rear seat cushion cover was not removed.

KEY FOR POINTS ON FOLLOWING PAGES

S	Satisfactory for age and recorded mileage
--	Could not be checked
X	Needs immediate attention
D	Desirable repair
N/A	Not applicable
Y	Yes
N	No



BODY EXTERIOR					
1. Panel Condition/Alignment	S	5. Bumpers No plates – F/R	S	9. Body damage	No
2. Paintwork	S	6. Door locks – operation	S	10. Corrosion	No
3. Exterior trim	S	7. Fuel filler cover and cap	S	11. Mud flaps None Fitted	N/A
4. Glass	S	8. Soft top (operation/condition)	N/A	12.	

ENGINE COMPARTMENT Diesel					
13. Coolant Level/Condition	S	21. Clutch Fluid	S	29. Accelerator linkage	S
14. Coolant leaks	No	22. Brake Fluid	S	30. Body panels	S
15. Antifreeze	S	23. Engine Oil level	D	31. Bonnet catch	S
16. Radiator/Cap	S	24. External leaks (engine)	No	32. Bonnet hinges	S
17. Hoses/Pipes	S	25. Engine mountings	S	33. Cold starting	S
18. Drive Belts	S	26. Fuel Injection	S	34. Fast idle (cold)	S
19. Water Pump	--	27. Turbo	S	35. Noise level (cold)	S
20. Power Steering	S	28. Fuel pump/Pipes	S	36. Excess fumes/smoke	No

Spark plugs, Injectors or Glow Plugs are not removed.
It should be noted that a gas analyser has not been used to check exhaust emissions.
If no documentation is seen indicating camshaft drive belt replacement, to ensure future serviceability, it is important that the belt is replaced immediately and then at intervals specified by the manufacturer. It is in your best interests that you ensure that this is carried out.

ELECTRICAL / CONTROLS					
37. Starting system/Ignition lock	S	43. Stop lights	S	51. Horn	S
38. Battery charging system	S	44. Indicator/Hazard lights	S	52. Radio/Cass./CD/Aerial	S
39. Voltages at battery:	S	45. Reverse / Fog lights	S	53. Heater(s) / Fan controls	S
normal	S	46. Auxiliary lights	N/A	54. Air Con operation	N/A
charging	S	47. Interior / Panel lights	S	55. Door locking	S
40. Headlights	S	48. Screen dimisters Rear Only	D	56. Windows Front Only	S
41. Sidelights /Running lights	S	49. Mirrors (electric)	S	57. Wipers/Washers Both F + R	S
42. Rear and No. plate lights	S	50. Controls/Instruments	S	58. Headlamp washers None	N/A

INTERIOR / LUGGAGE COMPARTMENT					
59. Steering Wheel/Adjustment	S	66. Door seals /hinges	S	73. Rear parcel shelf/blind	S
60. Seat upholstery – F/R	S	67. Interior sills	S	74. Boot/tailgate lock	S
61. Seat adjustment Mech. control	S	68. Headlining/visors	S	75. Luggage area trim con	S
62. Seatbelts – F/R	S	69. Sun roof(s) Elec.	N/A	76. Illumination light	S
63. Carpets – F/R	S	70. Dash panel (condition)	S	77. Tool kit etc	S
64. Door trim panels	S	71. Cigarette lighter(s)	S	78. Soft top (material)	N/A
65. Door fitting /operation	S	72. Mirrors (internal)	S	79. Tonneau cover	N/A

FRONT SUSPENSION / STEERING / UNDERFRAME					
80. Engine underside leakage	No	85. Wheel hubs/bearings	S	90. Sub-frames/mountings	S
81. Steering joints/ball joints	S	86. Springs/suspension units	S	91. Suspension arms/mountings/joint	S
82. Steering Rack and Pinion	S	87. Sphers/Pipes/Hoses	N/A	92. Tie bars/anti roll bars	S
83. Chassis members	S	88. Dampers (condition / leaks)	S	93. Corrosion protection	Yes
84. Power steering Hydraulic	S	89. Power steering pipes/gaiters	S	94. Corrosion – floor/chassis	No

REAR SUSPENSION / UNDERFRAME					
95. Springs/suspension bars	S	99. Location rods/fixings	S	103. Sub-frames/mountings/axles	N/A
96. Anti roll bar	S	100. Bump stops/gaiters	S	104. Chassis members	S
97. Dampers/bushes	S	101. Wheel hubs/bearings	S	105. Corrosion protection	Yes
98. Suspension arms/fixings	S	102. Spheres/Pipes/Hoses	N/A	106. Corrosion – floor/chassis	No



CLUTCH / TRANSMISSION		Manual Gearbox			
107. Fluid/Oil leaks	No	111. Casings/Axles/Differential(s)	S	115. Backlash	S
108. Cables/adjustments	S	112. Mountings	S	116. Gaiters	S
109. Hydraulic system	S	113. Drive shaft assembly	S	117. Propeller shaft(s)	N/A
110. Linkage (wear)	S	114. Universal/sliding joints	S	118. Prop. Bearings/Supports	N/A

EXHAUST SYSTEM					
119. Manifold(s)	S	121. Silencer(s)/Catalyst(s)	S	123. Joints/Couplings	S
120. Pipes	S	122. Heat shields/Mountings	S	124. System condition	Good

FUEL SYTEM					
125. Tank	S	127. Fuel lines	S	129. Evidence of leaks	No
126. Tank fixings	S	128. Breather pipes	--	130.	

BRAKES					
131. Master cylinder security	S	134. Flexible hoses	S	137. Hand/Parkbrake op/adjustment	S
132. Fluid leaks	No	135. Pipes/Connections	S	138. Hand/Parkbrake linkage	S
133. Servo/Power system	S	136. Discs/Pads/Drums Ltd wheels fitted	S	139. Pedal/Linkage	S

WHEELS AND TYRES		Type: Steel Wheel				Spare is "Spacesaver"	
140. Wheel Rims	S						
141. Wheel Trims	S						
Tyres	Make	Size	Type / Construction	Min tread depth			
142. RH Front	Michelin Energysaver	195/65 R15 91H	SELECT	4mm	S		
143. LH Front	Michelin Energysaver	195/65 R15 91H	SELECT	4mm	S		
144. RH Rear	Toyo Proxes CF2	195/65 R15 91H	SELECT	6 - 7mm	S		
145. LH Rear	Toyo Proxes CF2	195/65 R15 91H	SELECT	6 - 7mm	S		
146. Spare SELECT	Hankook Temporary	T125/85 R16 99M	SELECT	3mm	S		
147.							
148.							

ROAD TEST					
Finish Odom. Reading	192810 Miles	Conditions Wet			
Test Duration	13 Miles	Speed achieved up to 65 M.P.H.			
149. Final drive op./Noise level	S	156. Instrument/Controls function	S	163. Road holding/Stability	S
150. Gearbox operation/noise level	S	157. Steering wheel alignment	S	164. General steering/Handling	S
151. Engine performance	S	158. Clutch operation	S	165. Footbrake operation	S
152. Engine noise	S	159. 4WD operation	N/A	166. Hand/Parkbrake operation	S
153. Excess smoke	No	160. Cooling fan operation	S	167. Suspension noise	No
154. Overheating evidence	No	161. Steering effort	S	168. Warning lights	S
155. Auto changes/Kickdown/Inhib.	N/A	162. Hot restarting	S	169.	
FINAL CHECK					
170. Oil leaks	No	171. Coolant leaks	No	172.	

Please read all pages of this report



Essential & Desirable Repairs & Additional Comments

It is strongly advised that the essential defects are investigated immediately or rectified prior to purchase of the vehicle and desirable repairs are carried out in the near future. Some defects may prove costly to rectify and this must be considered prior to purchase or authorising any remedial work.

Attention

Some vehicles are provided with a master key, which can be extremely costly to replace (sometimes in excess of £1000) as, in some cases, if the master key is missing the Engine Control Unit (ECU) may have to be replaced should you encounter problems. As well as this, some radios have codes to allow them to operate. Please satisfy yourself that you have all relevant keys and codes. You should also ensure you are given all relevant instruction manuals for the vehicle, radio, alarm and immobilisers as necessary.

Item	Defect/Item requiring further investigation /rectification	D/X
	There were no defects requirig immediate attention however, consideration should be given to:	
23	Top up the engine oil. The level on the dipstick was slightly low	D
48	Not all the rear screen elements were operating.	D
NOTE:	Consider replacing the driver's loose rubber mat (worn through)	

Reg. No.:
EO06 NVP

Ref. No.:
NL/13112015/4793

N. Levenson

Date:
13/11/2015